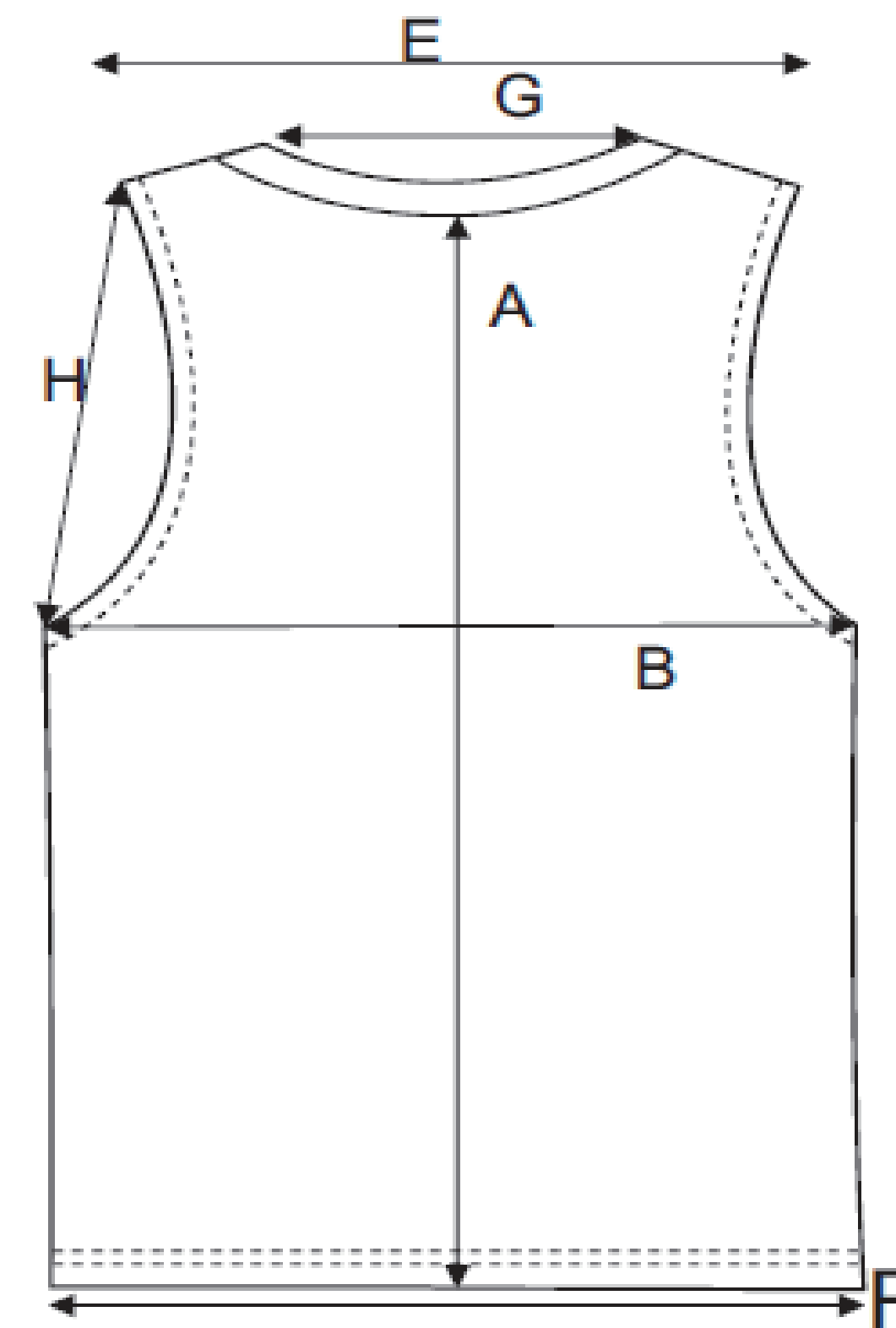
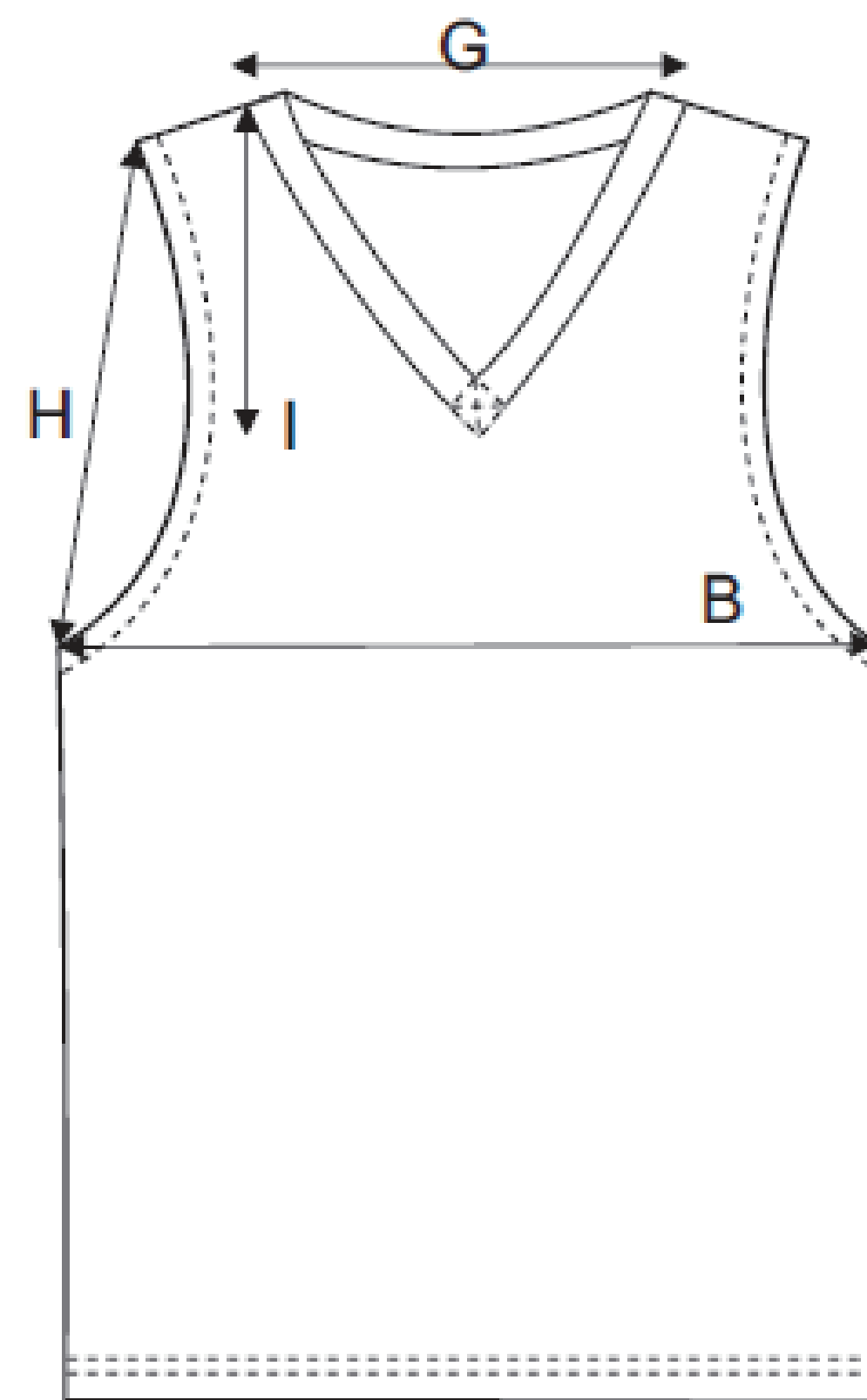


Size Chart

Style:

Pattern Code: STSG068



*Note: Measurements are of the actual garment, laid flat (not body measurements of the wearer)

| CHILDREN'S SIZING | | | | | | | ADULT'S SIZING | | | | | | |
|-------------------|---|----|----|----|----|----|----------------|-----|-----|-----|------|------|-----|
| | | 4 | 6 | 8 | 10 | 12 | XS | S | M | L | XL | XXL | 3XL |
| Back Length | A | 40 | 45 | 51 | 57 | 62 | 65 | 71 | 73 | 74 | 76 | 77 | 78 |
| Chest | B | 64 | 72 | 80 | 86 | 89 | 98 | 102 | 107 | 112 | 116 | 120 | 126 |
| Shoulder Breadth | E | 25 | 28 | 29 | 30 | 33 | 31 | 32 | 33 | 33 | 35.5 | 37.5 | 39 |
| Hem Circumference | F | 64 | 72 | 80 | 86 | 89 | 98 | 102 | 107 | 112 | 116 | 120 | 126 |